

# SMD HIGH CURRENT INDUCTORS

**MODEL NO. : SSC-10050 HF SERIES**

**FEATURES:**

- \* SUPERIOR QUALITY FOR AN AUTOMATED PRODUCTION LINE.
- \* AEC-Q200 COMPLAINE.
- \* PICK AND PLACE COMPATIBLE.
- \* TAPE AND REEL PACKING.
- \* COMPLIANT WITH RoHS AND HALOGEN FREE.



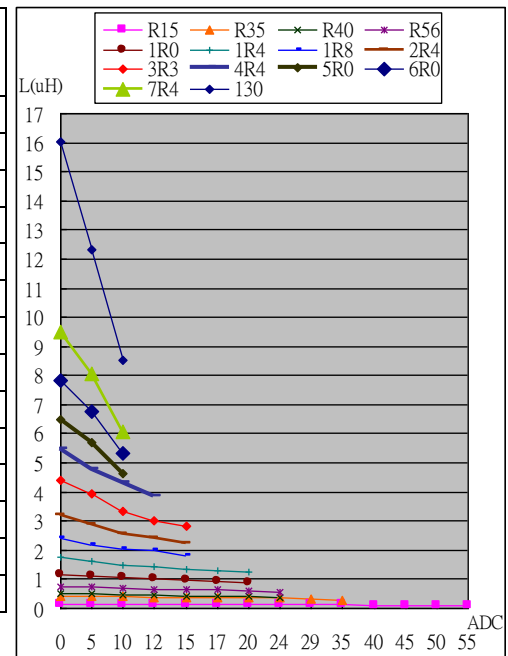
**APPLICATION :**

- \* NOTEBOOK COMPUTERS.
- \* MOTHERBOARD.
- \* ROUTERS.
- \* SERVERS.

**ELECTRICAL SPECIFICATION:**

PART NO	INDUCTANCE (uH) ±20%	DCR ±10% (mΩ)	INDUCTANCE (uH) TYP	TEMPERATURE RISE CURRENT (ADC)	SATURATION CURRENT (ADC) (NOTE 3)
SSC-10050-R15A HF	0.16±30%	0.51	0.15	28	55
SSC-10050-R35A HF	0.40	0.67	0.35	26	35
SSC-10050-R40A HF	0.50	1.30	0.40	25	25
SSC-10050-R56A HF	0.72	1.30	0.56	24	27
SSC-10050-1R0A HF	1.2	1.90	1.0	20	18
SSC-10050-1R4A HF	1.75	3.50	1.35	15	17
SSC-10050-1R8A HF	2.4	4.75	1.8	13.5	12.5
SSC-10050-2R4A HF	3.2	5.90	2.4	11.5	12.0
SSC-10050-3R3A HF	4.2	7.10	3.3	10	10.5
SSC-10050-4R4A HF	5.5	10.3	4.4	8.5	10.0
SSC-10050-5R0A HF	6.5	12.7	5.0	8.0	9.5
SSC-10050-6R0A HF	7.8	13.8	6.0	7.3	9.0
SSC-10050-7R4A HF	10	16.3	7.4	6.5	8.0
SSC-10050-130A HF	16	33.0	12.7	4.7	6.0

**INDUCTANCE VS DC BIAS:**



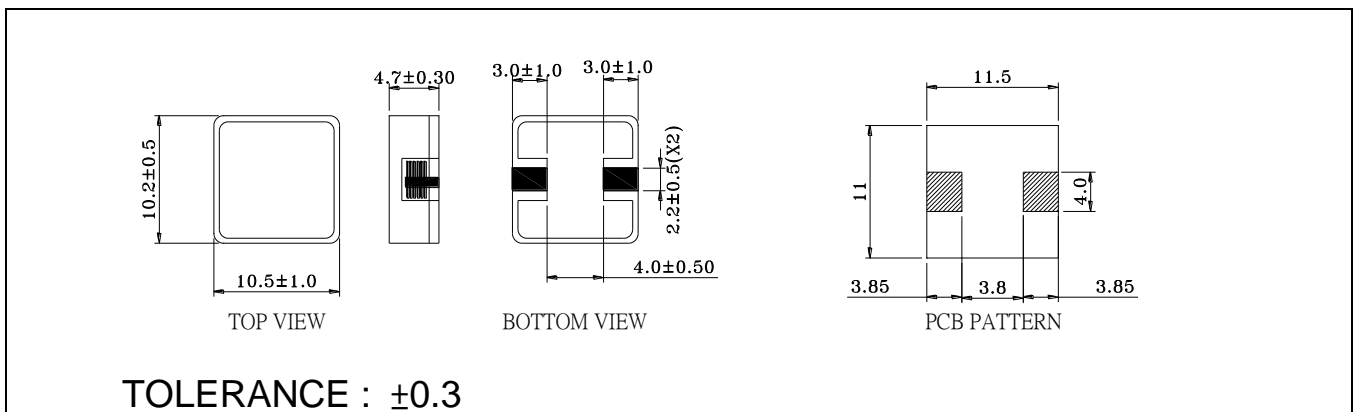
NOTE(1): Test frequency: 100 KHZ, 1Vrms.

NOTE(2): ΔT=40°C approximately under the temperature rise current

NOTE(3): The saturation current indicates the value of DC current is approximately 30% lower than its initial value of inductance.

NOTE(4): Operating temperature range: -40°C ~ +150°C

**PHYSICAL DIMENSION : (UNIT:mm)**



**PACKAGING SPEC:**

1. REEL SIZE & UNITS PER REEL :13",700PCS.
2. TAPE WIDTH:24mm.
3. REEL WIDTH:29.5mm
4. COMPONENT PITCH:16mm