

# SMD HIGH CURRENT INDUCTORS

**MODEL NO. : SSC-12550N2 HF SERIES**

**FEATURES:**

- \* LOW PROFILE, HIGH POWER, LOWER LOSS, LOW DCR WITH LARGE CURRENT DESIGN.
- \* CLOSED MAGNETIC CIRCUIT CONSTRUCTION FOR HIGH DENSITY BOARD ASSEMBLY .
- \* HI-RESISTIVITY ALLOY CORE & RIBBON WIRE ENSURE THE MINIATURIZATION & HI-EFFICIENCY.
- \* COMPLIANT WITH RoHS AND HALOGEN FREE.



**APPLICATION :**

- \* DC/DC CONVERTER IN POWER REGULATION SYSTEM.
- NOTEBOOK COMPUTERS. ● DESKTOP PC. ● SERVERS. ● ROUTERS.

**ELECTRICAL SPECIFICATION:**

PART NO	INDUCTANCE (μH) TYP. @0ADC	INDUCTANCE (μH)±20% @TEMPERATURE RISE CURRENT	TEMPERATURE RISE CURRENT (ADC)	INDUCTANCE (μH) TYP. @ SATURATION CURRENT	SATURATION CURRENT (ADC) (NOTE 3)	DCR ±10% (mΩ)
SSC-12550N2-R27 HF	0.30	0.27±30%	30	0.24	50	0.58
SSC-12550N2-R38 HF	0.47	0.38	26	0.37	34	0.90
SSC-12550N2-R62 HF	0.72	0.62	25	0.54	31	1.08
SSC-12550N2-1R0 HF	1.1	1.00	25	0.9	30	1.62
SSC-12550N2-1R2 HF	1.40	1.20	18	1.0	24	1.62
SSC-12550N2-1R7 HF	2.2	1.7	17	1.6	21	2.34
SSC-12550N2-2R4 HF	3.2	2.4	15	2.3	17	3.60
SSC-12550N2-3R2 HF	4.3	3.2	14	3.1	15	5.30
SSC-12550N2-4R1 HF	6.0	4.1	13	4.1	13	7.00
SSC-12550N2-6R8 HF	9.2	6.8	10	6.8	10	11.8
SSC-12550N2-9R2 HF	12.0	9.2	7.0	8.2	9.0	15.0

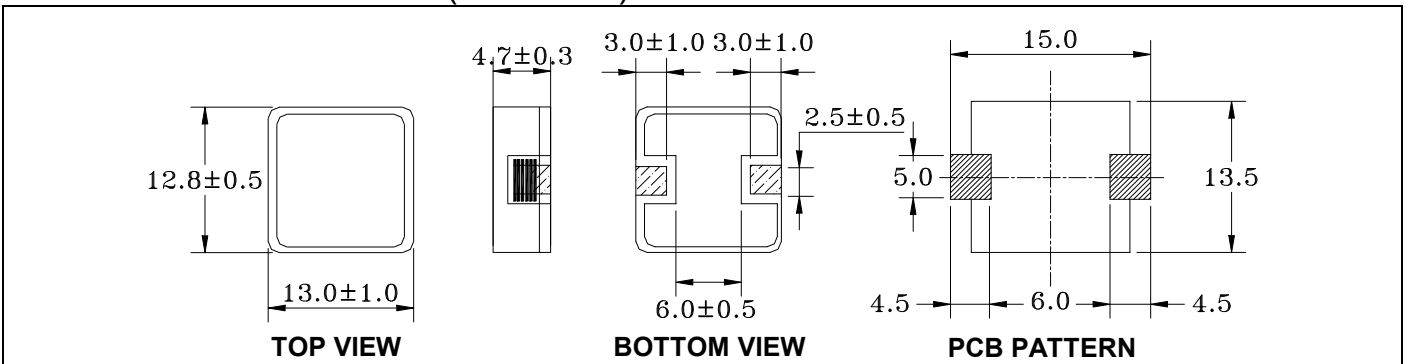
NOTE(1): Measuring condition: 100 KHZ, 0.1Vrms.

NOTE(2): ΔT=40°C approximately under the temperature rise current

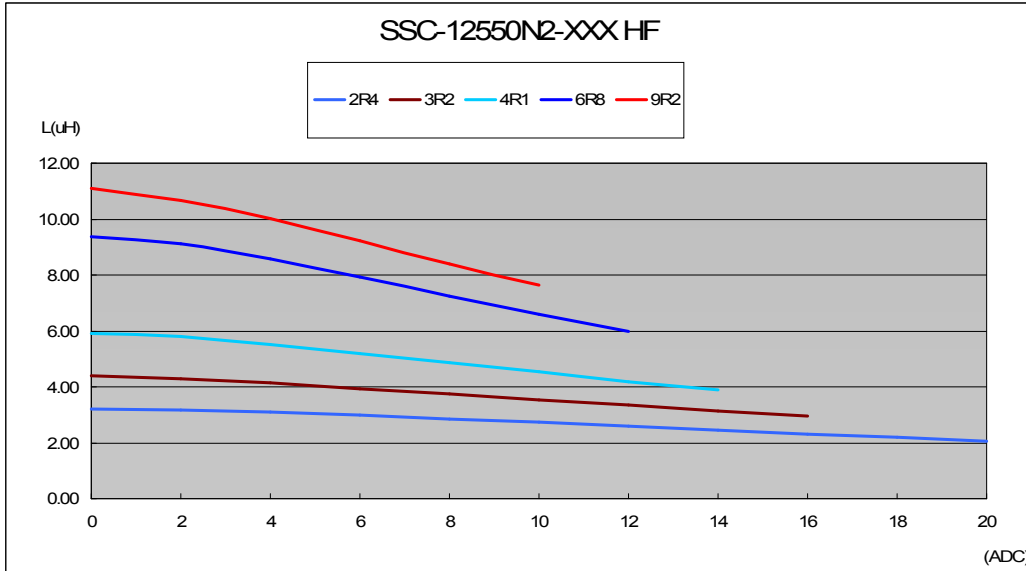
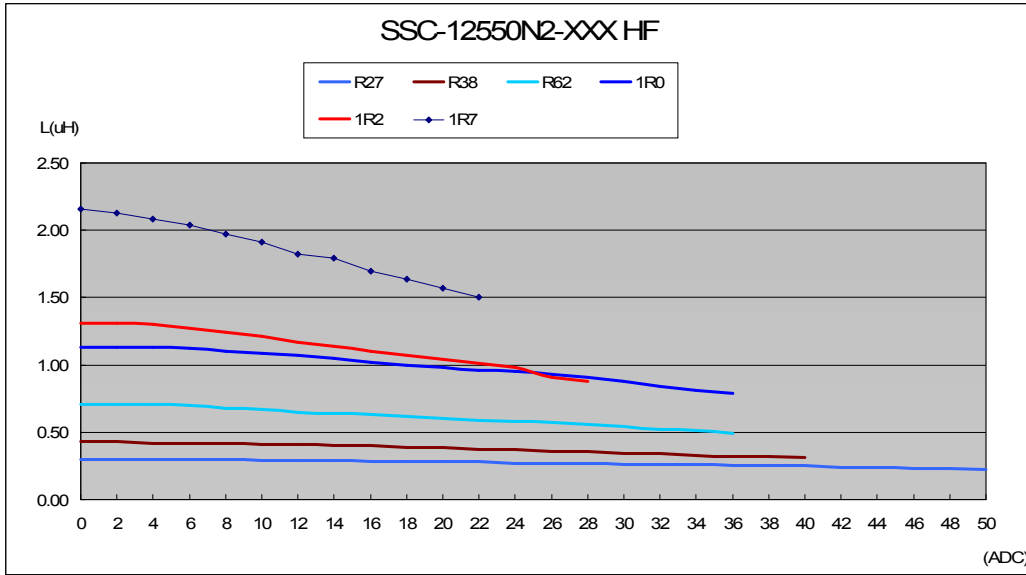
NOTE(3): The saturation current indicates the value of DC current is approximately 30% lower than its initial value of inductance.

NOTE(4): Operating temperature range: -40°C~+150°C .

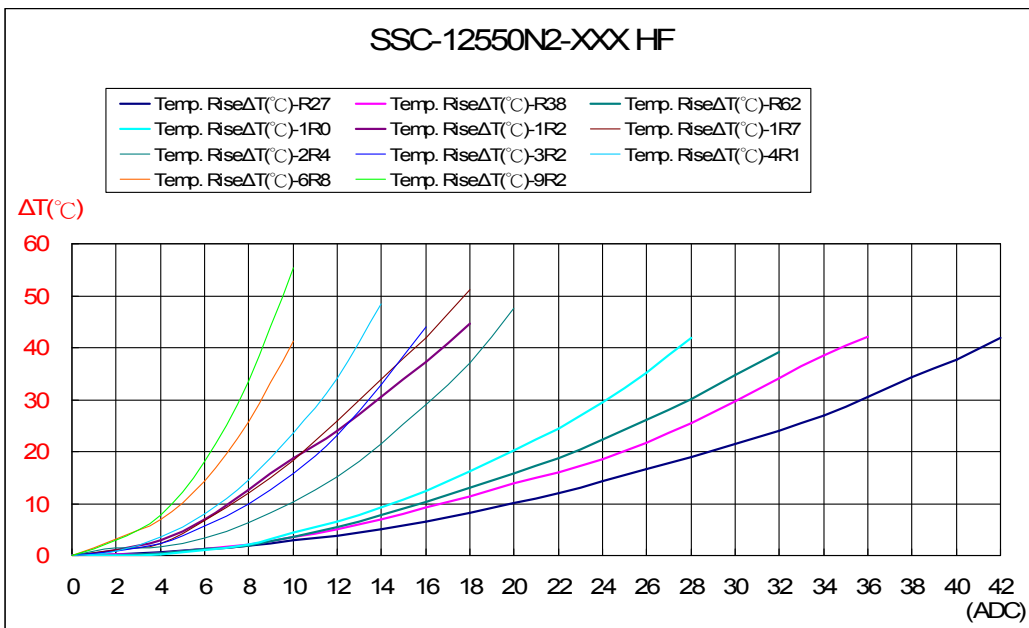
**PHYSICAL DIMENSION : (UNIT:mm)**



## INDUCTANCE VS DC BIAS:



## TEMPERATURE RISE VS DC BIAS:



## PACKAGING SPEC:

1. REEL SIZE & UNITS PER REEL :13",400PCS.
2. TAPE WIDTH:24mm.
3. REEL WIDTH:29.5mm.
4. COMPONENT PITCH:16mm