

SMD POWER INDUCTORS



MODEL NO. : SPC-0703 HF SERIES (CDRH73 COMPATIBLE)

FEATURES:

- * SUPERIOR QUALITY FOR AN AUTOMATED PRODUCTION LINE.
- * PICK AND PLACE COMPATIBLE.
- * TAPE AND REEL PACKING.
- * COMPLIANT WITH RoHS AND HALOGEN FREE.



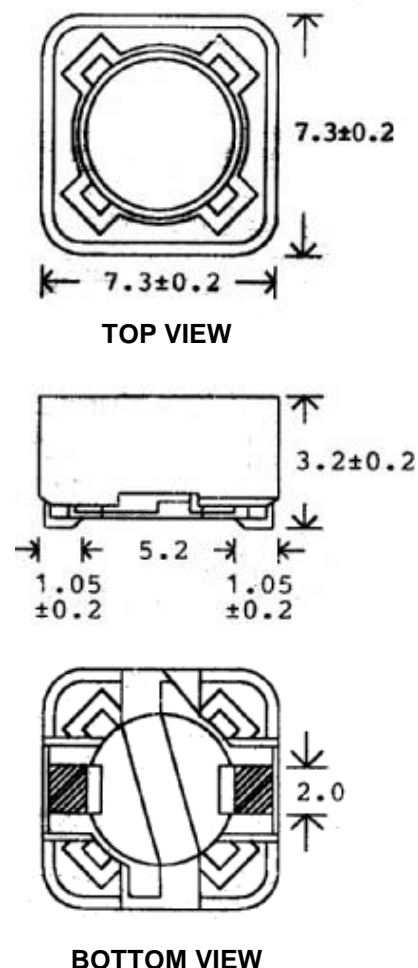
APPLICATION :

- * NOTEBOOK COMPUTERS.
- * DC-DC CONVERTORS.
- * DC-AC INVERTERS.

ELECTRICAL SPECIFICATION:

PART NO	INDUCTANCE (uH)	DCR MAX (Ω)	RATED CURRENT (ADC)
SPC-0703-4R7 HF	4.7	0.033	2.9
SPC-0703-5R6 HF	5.6	0.044	2.5
SPC-0703-100 HF	10	0.072	1.68
SPC-0703-120 HF	12	0.098	1.52
SPC-0703-150 HF	15	0.13	1.33
SPC-0703-180 HF	18	0.14	1.20
SPC-0703-220 HF	22	0.19	1.07
SPC-0703-270 HF	27	0.21	0.96
SPC-0703-330 HF	33	0.24	0.91
SPC-0703-390 HF	39	0.32	0.77
SPC-0703-470 HF	47	0.36	0.76
SPC-0703-560 HF	56	0.47	0.68
SPC-0703-680 HF	68	0.52	0.61
SPC-0703-820 HF	82	0.69	0.57
SPC-0703-101 HF	100	0.79	0.50
SPC-0703-121 HF	120	0.89	0.49
SPC-0703-151 HF	150	1.27	0.43
SPC-0703-181 HF	180	1.45	0.39
SPC-0703-221 HF	220	1.65	0.35
SPC-0703-271 HF	270	2.31	0.32
SPC-0703-331 HF	330	2.62	0.28
SPC-0703-391 HF	390	2.94	0.26
SPC-0703-471 HF	470	4.18	0.24
SPC-0703-561 HF	560	4.67	0.22
SPC-0703-681 HF	680	5.73	0.19
SPC-0703-821 HF	820	6.54	0.18
SPC-0703-102 HF	1000	9.44	0.16

PHYSICAL DIMENSION : (UNIT:mm)



TOLERANCE:±0.3

NOTE (1): Test frequency: 1 KHZ,1Vrms.

NOTE (2): 4.7uH ~ 8.2uH: ±30%, 10~1000uH: ±20%

NOTE (3): The rated current indicates the value of DC current is approximately 30% lower than its initial value of inductance and ΔT=40°C approximately.

NOTE(4): Operating temperature range: -30°C~+85°C.

PACKAGING SPEC:

1. REEL SIZE & UNITS PER REEL :13",1500PCS.
2. TAPE WIDTH:16mm.
3. REEL WIDTH:22.4mm.
4. COMPONENT PITCH:12mm