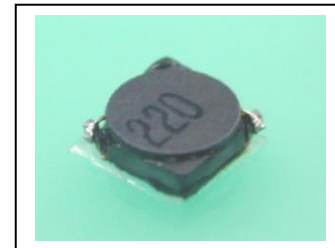


SMD POWER INDUCTORS

MODEL NO. : SPC-05703 HF SERIES(CDRH5D28 COMPATIBLE)

FEATURES:

- * SUPERIOR QUALITY FOR AN AUTOMATED PRODUCTION LINE.
- * PICK AND PLACE COMPATIBLE.
- * TAPE AND REEL PACKING.
- * COMPLIANT WITH RoHS AND HALOGEN FREE.



APPLICATION :

- * NOTEBOOK COMPUTERS.
- * DC-DC CONVERTORS.
- * DC-AC INVERTERS.
- * PDA.
- * DIGITAL STILL CAMERAS.
- * PC CAMERAS.

ELECTRICAL SPECIFICATION:

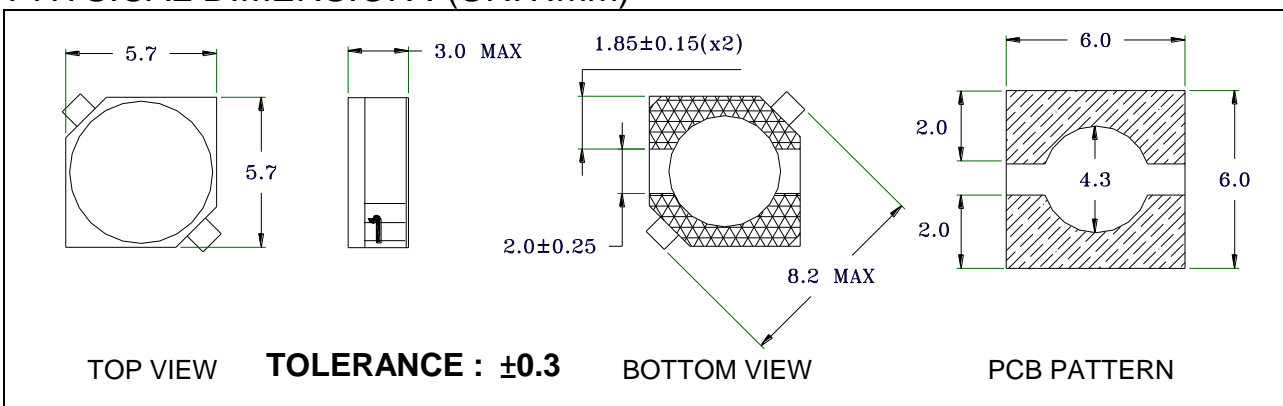
PART NO	INDUCTANCE (μ H) \pm 30%	DCR MAX (Ω)	RATED CURRENT (ADC)
SPC-05703-2R5 HF	2.5	0.018	3.00
SPC-05703-2R6 HF	2.6	0.018	2.60
SPC-05703-3R0 HF	3.0	0.024	2.40
SPC-05703-4R2 HF	4.2	0.031	2.20
SPC-05703-5R3 HF	5.3	0.038	1.90
SPC-05703-6R2 HF	6.2	0.045	1.80
SPC-05703-8R2 HF	8.2	0.053	1.60
SPC-05703-100 HF	10	0.065	1.30
SPC-05703-120 HF	12	0.076	1.20
SPC-05703-150 HF	15	0.103	1.10
SPC-05703-180 HF	18	0.110	1.00
SPC-05703-220 HF	22	0.122	0.90
SPC-05703-270 HF	27	0.175	0.85
SPC-05703-330 HF	33	0.189	0.75
SPC-05703-390 HF	39	0.212	0.70
SPC-05703-470 HF	47	0.260	0.62
SPC-05703-560 HF	56	0.305	0.58
SPC-05703-680 HF	68	0.355	0.52
SPC-05703-820 HF	82	0.463	0.46
SPC-05703-101 HF	100	0.520	0.42

NOTE(1): Test frequency: 100 kHz, 1 Vrms.

NOTE(2): The rated current indicates the value of DC current is approximately 35% lower than its initial value of inductance and $\Delta T=30^{\circ}\text{C}$ approximately.

NOTE(3): Operating temperature range: $-30^{\circ}\text{C} \sim +85^{\circ}\text{C}$.

PHYSICAL DIMENSION : (UNIT:mm)



PACKAGING SPEC:

1. REEL SIZE & UNITS PER REEL :13",1600PCS.
2. TAPE WIDTH:16mm.
3. REEL WIDTH:22.4mm.
4. COMPONENT PITCH:12mm